

7044

Reframe | Toilet brush floor

Toilet brush floor Black

Toilet brushes have never been more hygienic or more stylish. During the development process, we have given a lot of thought to hygiene. The inner plastic container has a splash guard, which extends over the outer cover and ensures that no bacteria can get in between the two.

As an extra hygienic solution, the inner container is fitted with a 'tap' to make it easy to empty the container without coming into contact with bacteria.

The brush head is designed to collect as little water and paper as possible, thus reducing unwanted dripping of toilet water. Choose between a wall-mounted and a floor-standing model. The brush head can be replaced.

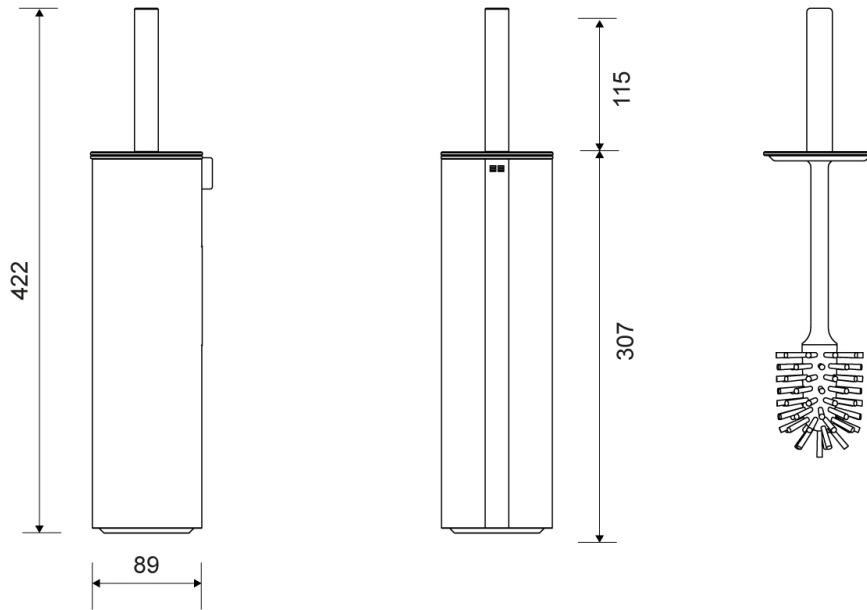
The pack contains fittings, screws and an Unbraco key for assembly.



Specifications

ITEM NUMBER	GTIN NUMBER	WEIGHT
7044	5707692010618	2300 g
MATERIAL	SURFACE	HEIGHT
Stainless steel (AISI 304)	PVD: Black	422 mm
DIAMETER		
89 mm		

DATA SHEET



7044

Products